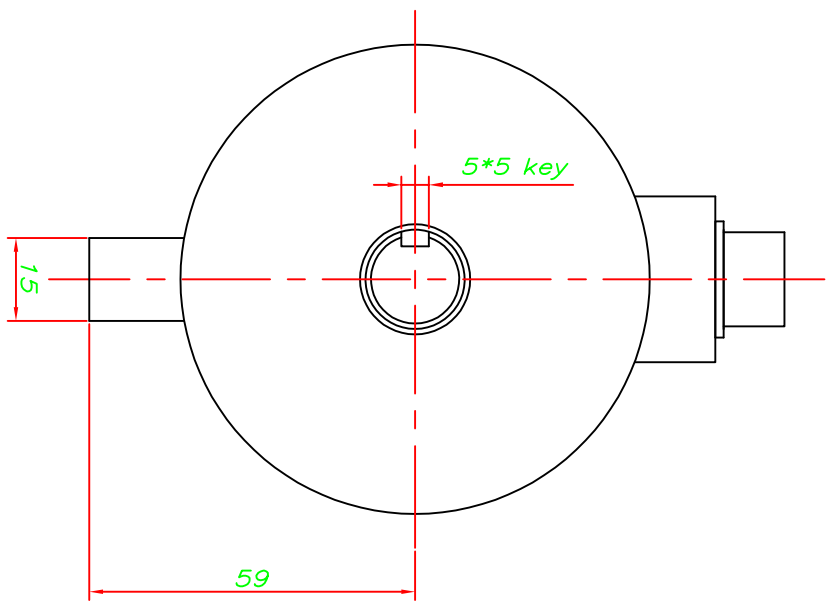
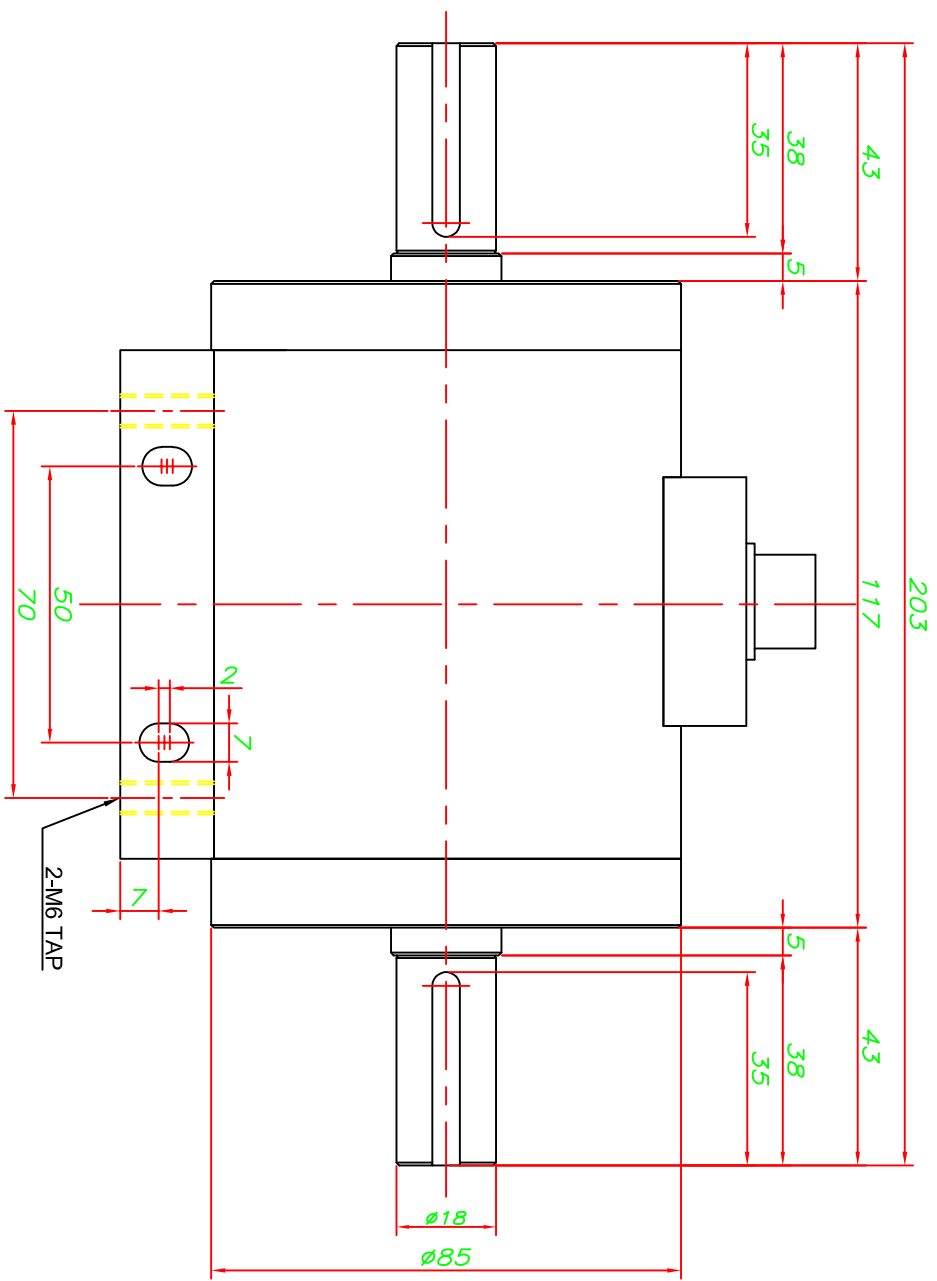


NO	DATE	ZONE	REVISION	COT	SIGN
Δ					



NO	DESCRIPTION	MATERIAL	HEAT TREAT	QTY	DIMENSIONS	REMARK																																																															
1																																																																					
<table border="1"> <tr> <td colspan="2">CHAMFER</td> <td colspan="2">SCALE</td> <td colspan="3">DRAWN BY / PLANNED BY</td> </tr> <tr> <td><input type="checkbox"/> C 0.1</td> <td><input type="checkbox"/> C 0.3</td> <td>1</td> <td>1</td> <td colspan="3"></td> </tr> <tr> <td><input type="checkbox"/> C 0.5</td> <td><input type="checkbox"/> C 1</td> <td colspan="5">DRAWN BY / CHECKED BY / APPROVED BY</td> </tr> <tr> <td colspan="2">TOLERANCE LIMITS</td> <td colspan="5">MODEL</td> </tr> <tr> <td><input type="checkbox"/> MM</td> <td><input type="checkbox"/> INCH</td> <td colspan="5">TORQUE SENSOR</td> </tr> <tr> <td>0. ±0.1</td> <td>0.0 ±0.04</td> <td colspan="5">ORDER</td> </tr> <tr> <td>0.0 ±0.05</td> <td>0.00 ±0.02</td> <td colspan="5">TORQ-5K</td> </tr> <tr> <td>0.00 ±0.01</td> <td>0.000 ±0.004</td> <td colspan="5">ORDER DWG. NO</td> </tr> <tr> <td>0.000 ±0.002</td> <td>0.0000 ±0.0002</td> <td colspan="5">TORQ-1A-5K</td> </tr> </table>							CHAMFER		SCALE		DRAWN BY / PLANNED BY			<input type="checkbox"/> C 0.1	<input type="checkbox"/> C 0.3	1	1				<input type="checkbox"/> C 0.5	<input type="checkbox"/> C 1	DRAWN BY / CHECKED BY / APPROVED BY					TOLERANCE LIMITS		MODEL					<input type="checkbox"/> MM	<input type="checkbox"/> INCH	TORQUE SENSOR					0. ±0.1	0.0 ±0.04	ORDER					0.0 ±0.05	0.00 ±0.02	TORQ-5K					0.00 ±0.01	0.000 ±0.004	ORDER DWG. NO					0.000 ±0.002	0.0000 ±0.0002	TORQ-1A-5K				
CHAMFER		SCALE		DRAWN BY / PLANNED BY																																																																	
<input type="checkbox"/> C 0.1	<input type="checkbox"/> C 0.3	1	1																																																																		
<input type="checkbox"/> C 0.5	<input type="checkbox"/> C 1	DRAWN BY / CHECKED BY / APPROVED BY																																																																			
TOLERANCE LIMITS		MODEL																																																																			
<input type="checkbox"/> MM	<input type="checkbox"/> INCH	TORQUE SENSOR																																																																			
0. ±0.1	0.0 ±0.04	ORDER																																																																			
0.0 ±0.05	0.00 ±0.02	TORQ-5K																																																																			
0.00 ±0.01	0.000 ±0.004	ORDER DWG. NO																																																																			
0.000 ±0.002	0.0000 ±0.0002	TORQ-1A-5K																																																																			
DWG NO		SHEET																																																																			

1 2 3 4 5 6 7 8

A B C D E F